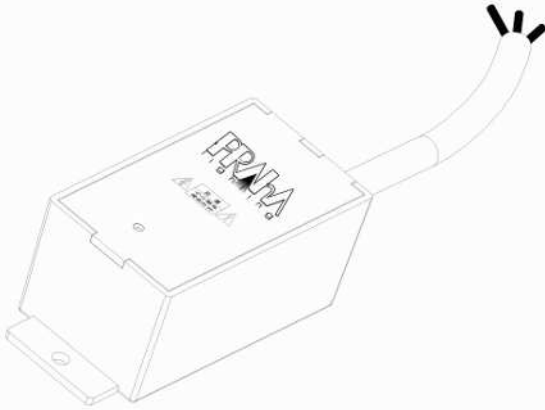


PRAHA LIGHTING SURGE PROTECTION DEVICE



■ Features:

- CLASS I
- Protected Mode L-N L-PE N-PE
- Refer to UL1449 third edition
- Three cable connect in series or parallel.
- Suitable for LED drive surge protection
- Waterproof Grade:IP67, use for indoor or outdoor.

1. Electrical specification

Model MSP-10K-SURGE Suger protection Device

Application Systems D-level single-phase power protection

Working voltage U_n 90-300VAC 50/60Hz

MCOV(Max. continuous operating voltage) U_c 305VAC

Residual voltage value <1500V

Nominal Discharge current I_n (8/20uS) 10KA

Anti-lighting Voltage 10KV

Max over current 20A

Response time speed t_a L-N $\leq 25nS$ N-PE $\leq 100nS$ L-PE $\leq 100nS$

Rated load power P_w 2KW

Environment temperature $-40\sim+70\text{℃}$

Safety standards Refer UL1449 the third version (CLASS I) 。GB18802.1.EN61643-11 EN61000-4-5

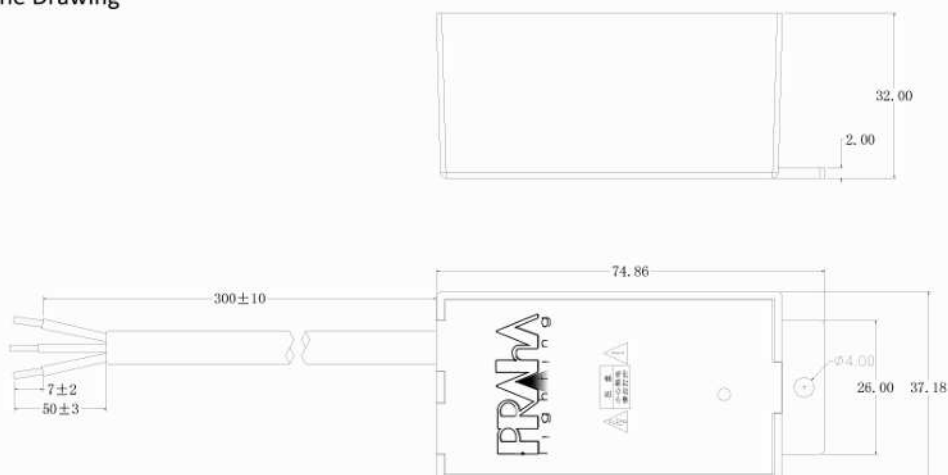
Dimensions 74.5*375*32 (L*W*H) Unit: mm

Weight 0.15Kg;

Sectional area for the install wire earthing terminal: $\geq 6\text{mm}^2$

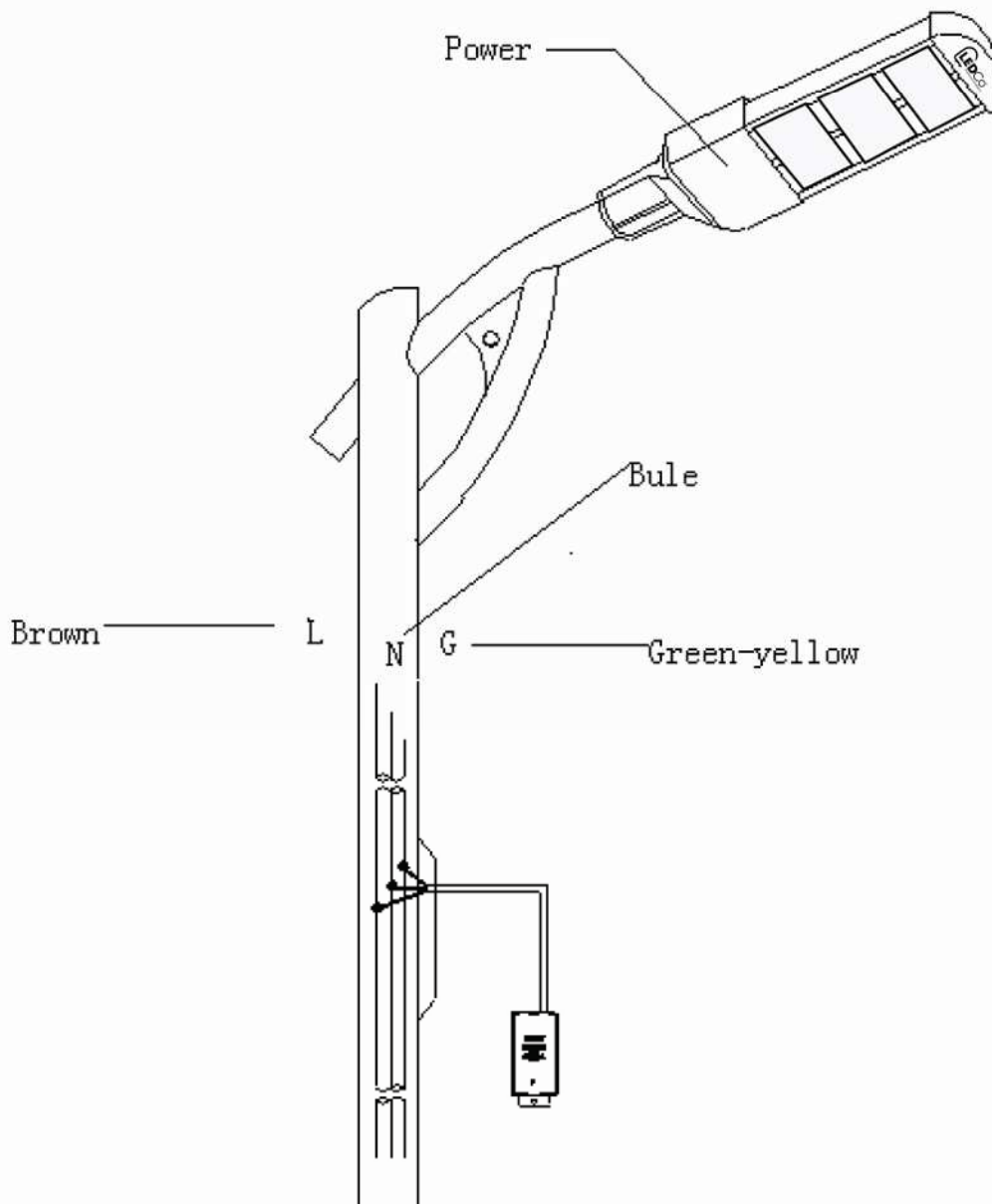
Remark:

2. Outline Drawing



3. Assembling Instruction

For use inside or interla fixture : Installed in parallel , a schematic diagram of the SPD, open the junction box, parallel connect the SPD Live wire (brown), the Null wire(blue) and ground wire (green-yellow) with LED drive power input line ,using international electro technical standards or welding to ensure safe and reliable, the SPD is then placed inside the junction box with the screws



In Parallel