

PHA 7R PLUS

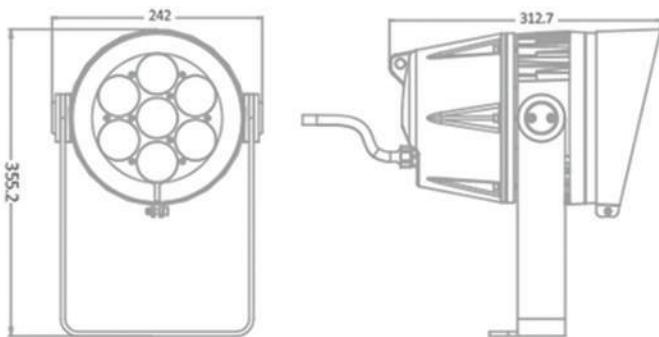
■ Input Voltage	AC100~240V
■ Max. Power	105W
■ Power Factor	>0.9
■ Lumen	4200lm
■ Peak Intensity	32000cd
■ LED Qty	7xMultichip RGBL
■ Optics	15°
■ DMX control channels	0-100%
■ Interface	DMX、RDM
■ Controllable sections	1
■ Mains connection	3m(input only)
■ Data connection	3m(input+output)
■ IP Rated	IP66
■ Operation temperature	-40°C~45°C (operating) -20°C~45°C (startup)
■ Housing material	Die-cast aluminium
■ Housing color	Off-white
■ Dimensions	315x242x390mm
■ Weight	8.1kg



● 0%-100% 16 Bit dimming technology

● Segment control

● RDM bidirectional feedback function



Dimensions