

Surger Protection Device

MSPPT-10K-SURGE



Features:

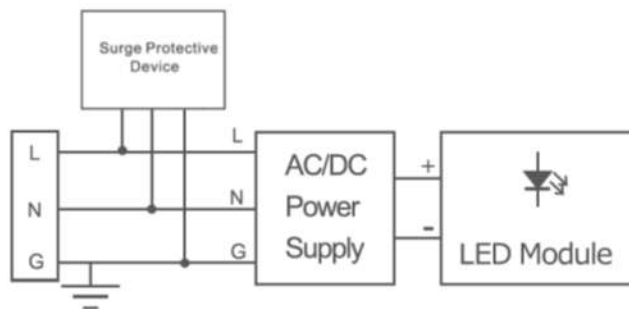
- Suitable for use luminaire with Class 1 or Class II installations
- Protection Level L-N, L-PE, N-PE
- Built-in thermal detachment function, higher security
- Parallel connection mode, convenient maintenance
- Excellent impact resistance, low voltage limit
- High pressure heat shrinkable tube package, small size, easy to install
- IP65, dust-tight and water resistant

Model	MSPPT-10K-Surge
Application system	Single Phase power supply Protection level D
Input voltage U_n	100-277VAC 50/60Hz
Continued operating voltage U_c	320VAC
Residual Voltage	L-N:1.3kV ; L/N-PE:1.3kV
Nominal Discharge Current / I_n (kA) (2)	5 kA
Maximum Discharge Current / I_{max} (kA) (3)	10 kA
Open Circuit Voltage / U_{oc}	10 kV
Voltage Protective Level / U_p (V) (4)	≤ 1.2 kV (L-N, L-G/PE, N-G/PE)
Wire for terminal	Hose cable (14AWG/1.0mm ²)
Connection mode	Parallel connection
Protection Degree	IP65
Ambient temperature	-40~+85°C

Notes:

- 1.- MCOV/ U_c (VAC) :The Maximum Continuous Operating Voltage can be continuously applied to the SPD.
- 2.- Nominal Discharge Current(I_n)(kA):The nominal discharge current is a measure of the SPDs endurance capability 15 impulses of discharge current uses the 8/20us current waveform .
- 3.- Maximum Discharge Current(I_{max})(kA):The maximum discharge current is a measure of the SPOs maximum capability single impulse of discharge current uses the 8/20us current waveform. All devices pass maximum discharge current with possible, safe opening of thermal disconnect.
- 4.- Voltage Protective Level/ U_p , The highest value of residual voltage measurements during the application of impulses of 8/20us nominal discharge (I_n); rounding voltage value of maximum measurement.

Installation



Parallel Connection

Notes:

1. Black: Line; White: Neutral; Green: Ground.
2. Wire Gauge: 14AWG wire line in; Wire Length .150mm or customized.

Surger Protection Device

MSPPT-20K-SURGE



Features:

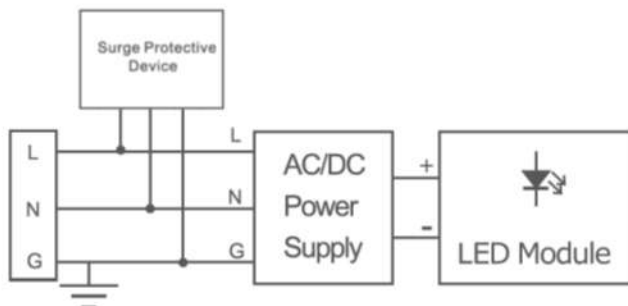
- Suitable for use luminaire with Class 1 or Class II installations
- Protection Level L-N, L-PE, N-PE
- Built-in thermal detachment function, higher security
- Parallel connection mode, convenient maintenance
- Excellent impact resistance, low voltage limit
- High pressure heat shrinkable tube package, small size, easy to install
- IP65, dust-tight and water resistant

Model	MSPPT-20K-Surge
Application system	Single Phase power supply Protection level D
Input voltage U_n	100-277VAC 50/60Hz
Continued operating voltage U_c	320VAC
Residual Voltage	L-N:1.3kV ; L/N-PE:1.3kV
Nominal Discharge Current / I_n (kA) (2)	10 kA
Maximum Discharge Current / I_{max} (kA) (3)	20 kA
Open Circuit Voltage / U_{oc}	20 kV
Voltage Protective Level / U_p (V) (4)	≤ 1.5 kV (L-N, L-G/PE, N-G/PE)
Wire for terminal	Hose cable (14AWG/1.0mm ²)
Connection mode	Parallel connection
Protection Degree	IP65
Ambient temperature	-40~+85°C

Notes:

- 1.- MCOV/ U_c (VAC) :The Maximum Continuous Operating Voltage can be continuously applied to the SPD.
- 2.- Nominal Discharge Current(I_n)(kA):The nominal discharge current is a measure of the SPDs endurance capability 15 impulses of discharge current uses the 8/20us current waveform .
- 3.- Maximum Discharge Current(I_{max})(kA):The maximum discharge current is a measure of the SPOs maximum capability single impulse of discharge current uses the 8/20us current waveform. All devices pass maximum discharge current with possible, safe opening of thermal disconnect.
- 4.- Voltage Protective Level/ U_p , The highest value of residual voltage measurements during the application of impulses of 8/20us nominal discharge (I_n); rounding voltage value of maximum measurement.

Installation



Parallel Connection

Notes:

1. Black: Line; White: Neutral; Green: Ground.
2. Wire Gauge: 14AWG wire line in; Wire Length .150mm or customized.

Surger Protection Device

MSPSB-10K-SURGE



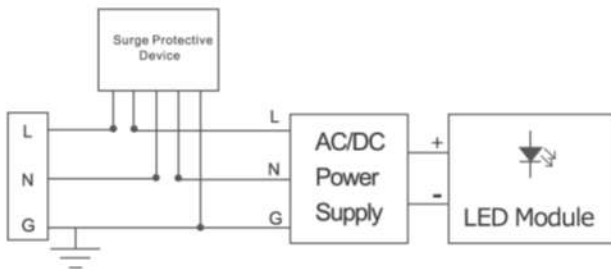
Features:

- Class I configuration
- Protection Level L-N, L-PE, N-PE
- Conform to UL 1449(3rd Edition)
- Thermal Fuse Disconnected
- Three-wire series connection
- Suitable for LED driver
- IP67, Can be used Indoor and Outdoor

Model	MSPSB-10K-Surge		
Application system	Single Phase power supply Protection level D		
Input voltage U_n	100-277VAC 50/60Hz		
Continued operating voltage U_c	350VAC		
Residual Voltage	L-N:1.3kV; L/N-PE:1.3kV		
Nominal discharge Current $I_n(8/20\mu s)$	L-N	L-PE	N-PE
	5KA	5KA	5KA
Resist lightning strike voltage U_{oc}	L-N	L-PE	N-PE
	10KA	10KA	10KA
Combination Wave U_{0c}	10kV		
Maximum Input Current	10A(AC)		
Response time t_A	L-N: $\leq 25ns$; L- PE: $\leq 25ns$; N-PE: $\leq 25ns$		
Nominal Load Power P_w	2KW		
Applicable temperature	$-40\sim +80^\circ C$		
Thermal Fuse Disconnected	$+115^\circ C$		
Weight	72g		
Safety standard	Refer to UL1449 3rd Edition, GB18802.1,EN61643-11:2011 EN61000-4-5 .		
Size	81*37.6 *13.5 (L*W*H) Unit : mm		
Lead wiring	3x1mm ²		

Installation

Wire series connection: connect one wire with power grid, connect another wire to LED driver. Then connect SPD brown wire to Live wire, connect blue wire to Neutral wire, connect yellow/green wire to earth wire. The connection point need to be welded safely according to IEC standard. Then put SPD into the street lighting fixture.



Surger Protection Device

MSPSB-20K-SURGE

Features:

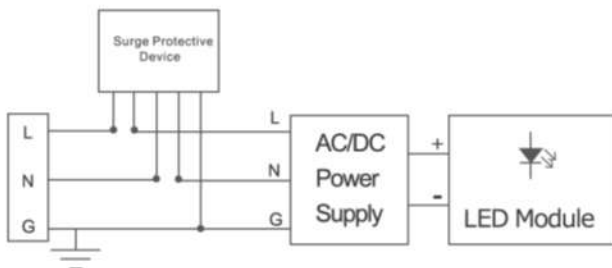
- Class I configuration
- Protection Level L-N, L-PE, N-PE
- Conform to UL 1449(3rd Edition)
- Thermal Fuse Disconnected
- Three-wire series connection
- Suitable for LED driver
- IP67, Can be used Indoor and Outdoor



Model	MSPSB-20K-Surge		
Application system	Single Phase power supply Protection level D		
Input voltage U_n	100-277VAC 50/60Hz		
Continued operating voltage U_c	320VAC		
Residual Voltage	L-N:1.2kV ; L/N-PE:1.5kV		
Nominal discharge Current $I_n(8/20\mu s)$	L-N	L-PE	N-PE
	10KA	10KA	10KA
Resist lightning strike voltage U_{oc}	L-N	L-PE	N-PE
	20KA	20KA	20KA
Combination Wave U_{DC}	20kV		
Maximum Input Current	10A(AC)		
Response time t_A	L-N: $\leq 25ns$; L- PE: $\leq 100ns$; N-PE: $\leq 100ns$		
Nominal Load Power P_w	2kW		
Applicable temperature	-40~+70 °C		
Standards complied	Conform to UL 1449 (Class I) ; GB18802.1 ; EN61643-11		
Dimension	62mm*35mm*36mm (L*W*H)		
Safety standard	Refer to UL1449 3rd Edition, GB18802.1,EN61643-11:2011 EN61000-4-5 .		
Lead wiring	3x1.0mm ²		
LED indication function	SPD working Normal		SPD Failure
	Turn On		Turn Off

Installation

Wire series connection: connect one wire with power grid, connect another wire to LED driver. Then connect SPD brown wire to Live wire, connect blue wire to Neutral wire, connect yellow/green wire to earth wire. The connection point need to be welded safely according to IEC standard. Then put SPD into the street lighting fixture.



Surger Protection Device

MSPPB-10K-SURGE



Features:

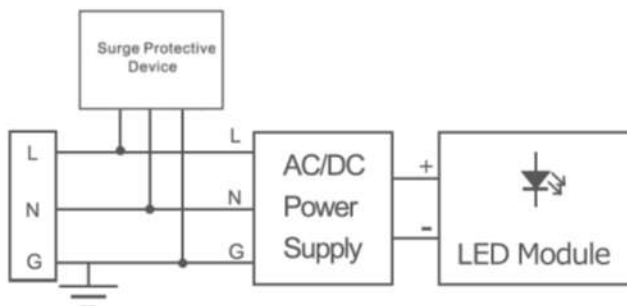
- Suitable for use luminaire with Class 1 or Class II installations
- Protection Level L-N, L-PE, N-PE
- Parallel connection mode, convenient maintenance
- Excellent impact resistance, low voltage limit
- IP67, dust-tight and water resistant

Model	MSPPB-10K-Surge
Application system	Single Phase power supply Protection
Input voltage U_n	100-277VAC 50/60Hz
Continued operating voltage U_c	320VAC
Nominal Discharge Current / I_n (kA) (2)	5 kA
Maximum Discharge Current / I_{max} (kA) (3)	10 kA
Open Circuit Voltage / U_{oc}	10 kV
Voltage Protective Level / U_p (V) (4)	≤ 1.2 kV (L-N, L-G/PE, N-G/PE)
Wire for terminal	Hose cable (16AWG/1.0mm ²)
Connection mode	Parallel connection
Protection Degree	IP67
Ambient temperature	-40~+85°C

Notes:

- 1.- MCOV/ U_c (VAC):The Maximum Continuous Operating Voltage can be continuously applied to the SPD.
- 2.- Nominal Discharge Current(I_n)(kA):The nominal discharge current is a measure of the SPDs endurance capability 15 impulses of discharge current uses the 8/20us current waveform .
- 3.- Maximum Discharge Current(I_{max})(kA):The maximum discharge current is a measure of the SPOs maximum capability single impulse of discharge current uses the 8/20us current waveform. All devices pass maximum discharge current with possible, safe opening of thermal disconnect.
- 4.- Voltage Protective Level/ U_p ,The highest value of residual voltage measurements during the application of impulses of 8/20us nominal discharge (I_n); rounding voltage value of maximum measurement.

Installation



Parallel Connection

Notes:

1. Black: Line; White: Neutral; Green: Ground.
2. Wire Gauge: 14AWG wire line in; Wire Length .150mm or customized.

Surger Protection Device

MSPPB-20K-SURGE



Features:

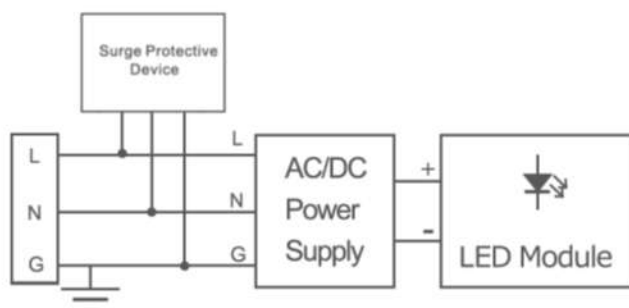
- Suitable for use luminaire with Class 1 or Class II installations - IP67, dust-tight and water resistant
- Protection Level L-N, L-PE, N-PE
- Parallel connection mode, convenient maintenance
- Excellent impact resistance, low voltage limit

Model	MSPPB-20K-Surge
Application system	Single Phase power supply Protection
Input voltage U_n	100-277VAC 50/60Hz
Continued operating voltage U_c	320VAC
Nominal Discharge Current / I_n (kA) (2)	10 kA
Maximum Discharge Current / I_{max} (kA) (3)	20 kA
Open Circuit Voltage / U_{oc}	20 kV
Voltage Protective Level / U_p (V) (4)	≤ 1.5 kV (L-N, L-G/PE, N-G/PE)
Wire for terminal	Hose cable (14AWG/1.0mm ²)
Connection mode	Parallel connection
Protection Degree	IP67
Ambient temperature	-40~+85°C

Notes:

- 1.- MCOV/ U_c (VAC):The Maximum Continuous Operating Voltage can be continuously applied to the SPD.
- 2.- Nominal Discharge Current(I_n)(kA):The nominal discharge current is a measure of the SPDs endurance capability 15 impulses of discharge current uses the 8/20us current waveform .
- 3.- Maximum Discharge Current(I_{max})(kA):The maximum discharge current is a measure of the SPOs maximum capability single impulse of discharge current uses the 8/20us current waveform. All devices pass maximum discharge current with possible, safe opening of thermal disconnect.
- 4.- Voltage Protective Level/ U_p ,The highest value of residual voltage measurements during the application of impulses of 8/20us nominal discharge (I_n); rounding voltage value of maximum measurement.

Installation



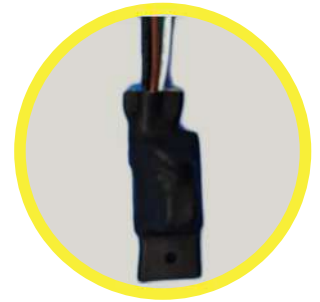
Parallel Connection

Notes:

1. Black: Line; White: Neutral; Green: Ground.
2. Wire Gauge: 14AWG wire line in; Wire Length .150mm or customized.

Surger Protection Device

MSPST-10K-SURGE



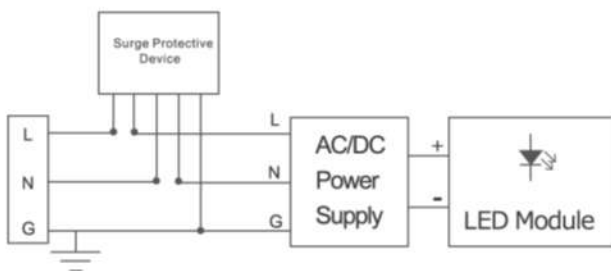
Features:

- Class I configuration
- Protection Level L-N, L-PE, N-PE
- Conform to UL 1449(3rd Edition)
- Thermal Fuse Disconnected
- Three-wire series connection
- Suitable for LED driver

Model	MSPST-10K-Surge		
Application system	Single Phase power supply Protection level D		
Input voltage U_n	100-277VAC 50/60Hz		
Continued operating voltage U_c	350VAC		
Residual Voltage	L-N:1.3kV ; L/N-PE:1.3kV		
Nominal discharge Current $I_n(8/20\mu s)$	L-N	L-PE	N-PE
	5KA	5KA	5KA
Resist lightning strike voltage U_{oc}	L-N	L-PE	N-PE
	10KA	10KA	10KA
Combination Wave U_{0c}	10kV		
Maximum Input Current	10A(AC)		
Response time t_A	L-N: $\leq 25ns$; L- PE: $\leq 25ns$; N-PE: $\leq 25ns$		
Nominal Load Power P_w	2kW		
Applicable temperature	-40~+80℃		
Thermal Fuse Disconnected	+115℃		
Weight	72g		
Safety standard	Refer to UL1449 3rd Edition, GB18802.1,EN61643-11:2011 EN61000-4-5 .		
Size	81*37.6 *13.5 (L*W*H) Unit : mm		
Lead wiring	3x1mm ²		

Installation

Wire series connection: connect one wire with power grid, connect another wire to LED driver. Then connect SPD brown wire to Live wire, connect blue wire to Neutral wire, connect yellow/green wire to earth wire. The connection point need to be welded safely according to IEC standard. Then put SPD into the street lighting fixture.



Surger Protection Device

MSPST-20K-SURGE



Features:

- Class I configuration
- Protection Level L-N, L-PE, N-PE
- Conform to UL 1449(3rd Edition)
- Thermal Fuse Disconnected
- Three-wire series connection
- Suitable for LED driver

Model	MSPST-20K-Surge SPD		
Application system	Single Phase power supply Protection level D		
Input voltage U_n	100-277VAC 50/60Hz		
Continued operating voltage U_c	320V		
Level of voltage protect U_p	L-N:1.2kV; L/N-PE:1.5kV		
Nominal discharge Current $I_n(8/20\mu s)$	L-N	L-PE	N-PE
	10KA	10KA	10KA
Maximum discharge Current $I_{max}(8/20\mu s)$	L-N	L-PE	N-PE
	20KA	20KA	20KA
Combination Wave U_{DC}	20kV		
Maximum Input Current	10A(AC)		
Response time t_A	L-N: $\leq 25ns$; L- PE: $\leq 100ns$; N-PE: $\leq 100ns$		
Rated power	2kW		
Applicable temperature	-40~+70°C		
Standards complied	Conform to UL 1449 (Class I); GB18802.1 ; EN61643-11		
Dimension	62mm*35mm*36mm (L*W*H)		
Lead wiring	3x1.0mm ²		
LED indication function	SPD working Normal Turn On	SPD Failure Turn Off	

Installation

Wire series connection: connect one wire with power grid, connect another wire to LED driver. Then connect SPD brown wire to Live wire, connect blue wire to Neutral wire, connect yellow/green wire to earth wire. The connection point need to be welded safely according to IEC standard. Then put SPD into the street lighting fixture.

