

LED Street Light Series(TI)

27W / 36W / 45W / 54W

IP64



Features

- Samsung led, high lumen, above 100lm/w.
- Replace HPS, CFL, halide bulb
- Widely used in street, garden, warehouse, park and so on.
- CRI =85 PF=95

Application



CE RoHS

Company : Estamos para servirle.

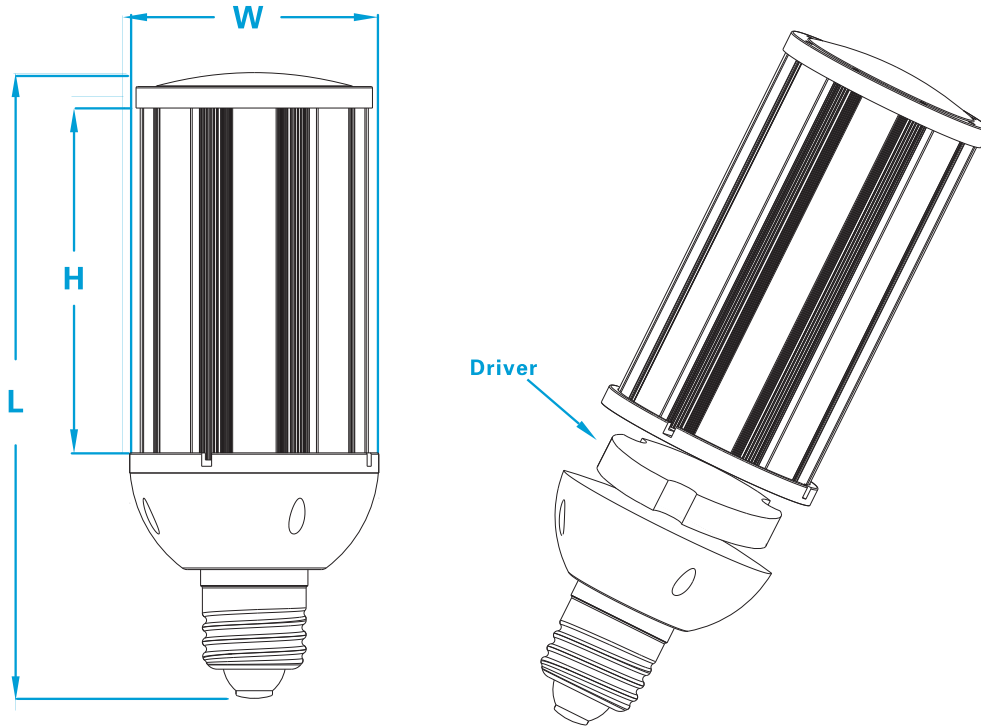
Address : 825 Union Pacific St. Laredo, Texas 78045 East Point Industrial Park

Contact: Mr.David Alexander

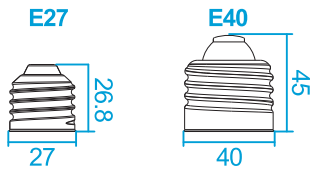
Tel: (5255) 50-00-94-00

Email: sales@prahalighting.com

Dimensions



Base



Specifications

Model	Rated Power	Input Voltage	CCT	Power factor	CRI	Lumen	LED Quantity	Base	E27 Dimension (L x H x W)	E40 Dimension (L x H x W)
TI-27W	27W	AC85~265V 50~60Hz	3000K-6500K	≥0.9	≥80	2900lm±100lm	90 LEDs	E27 E40	204 X 90 X 92.8	214 X 90 X 92.8
TI-36W	36W	AC85~265V 50~60Hz	3000K-6500K	≥0.9	≥80	3760lm±100lm	117 LEDs	E27 E40	234 X 120 X 92.8	244 X 120 X 92.8
TI-45W	45W	AC85~265V 50~60Hz	3000K-6500K	≥0.9	≥80	4500lm±100lm	144 LEDs	E27 E40	264 X 151 X 92.8	274 X 151 X 92.8
TI-54W	54W	AC85~265V 50~60Hz	3000K-6500K	≥0.9	≥80	5600lm±100lm	180 LEDs	E27 E40	264 X 151 X 92.8	274 X 151 X 92.8

Company : Estamos para servirle.

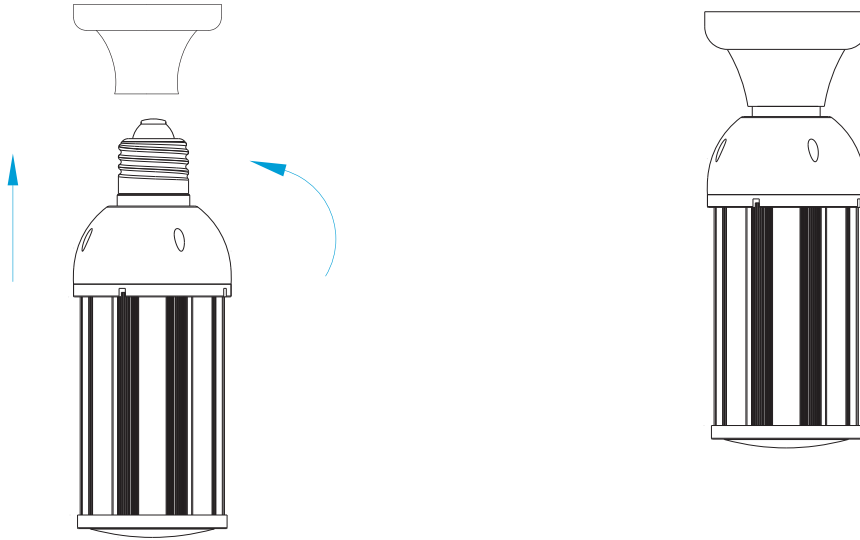
Address : 825 Union Pacific St. Laredo, Texas 78045 East Point Industrial Park

Contact: Mr.David Alexander

Tel: (5255) 50-00-94-00

Email: sales@prahalighting.com

Installation



Product Packing Specification

Packing Details	27W	36W	45W	54W
Net Weight:	645g	745g	832g	878g
Box Size:	126*126*234mm	126*126*262mm	126*126*293mm	126*126*293mm
Gross Weight Per Box:	754g	863g	968g	1000g
CTN Size:	526*395*257mm	526*395*286mm	526*395*315mm	526*395*315mm
Pack Quantity:	12pcs	12pcs	12pcs	12pcs
Gross Weight Per CTN:	10.5kg	11.4kg	12.7kg	13.1kg



⚠ CAUTIONS

- For the 54W led street light, if used in completely sealed fixture, pls use external driver in case of high temperature to influence the lifespan.
- Don't take apart the lamps without our permit.
- Don't tear up the date label for warranty.
- Don't stare at the strong light for a long time as it may cause injury to eyes.
- Non-dimmable

Company : Estamos para servirle.

Address : 825 Union Pacific St. Laredo, Texas 78045 East Point Industrial Park

Contact: Mr.David Alexander

Tel: (5255) 50-00-94-00

Email: sales@prahalighting.com