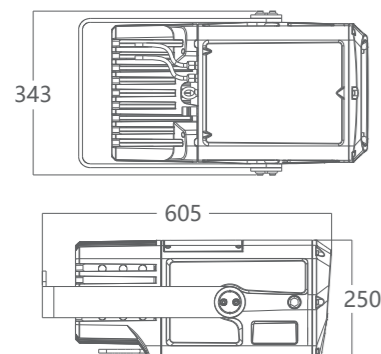


## Eidolon 350 PHAG750SCT

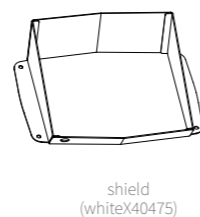
Eidolon 350 is an innovative waterproof projection lighting under independent research and development, with compact structure and attractive appearance. With pure white color temperature, it is equipped with intelligent zoom electronic system; 8-40 ° can be linearly adjusted. Focusing smoothly, and precisely in control. Built-in rotatable Gobo wheel and dynamic effects wheel, prism and other functions, AG750 can achieve a wealth of dynamic pattern simulation effect. Equipped with an excellent optical system, the light spot is uniform with clear-cut margin, and the pattern image is vivid. The product is IP66 waterproof rating, which is widely used in theme parks, playgrounds, Commercial complex, commercial plazas, architectural buildings, outdoor performances and other large and medium-sized venues.



### DIMENSIONS



### ACCESSORIES



### TECHNICAL DATA

Light source	350W(cool white LED module)
Angle	8°-40°(electronic zoom)
Max. Power	350W
Display	On board Control, 0-25Hz Strobe
Con personality	STANDARD(20CHS), BASIC(17CHS)
Rotating Gobo	7 Gobos+White, Gobo-flow effect, Gobo shake, Bi-directional rotation
Colors	One color wheel (7 dichroic-filters+White, Rainbow flow effect)
Prism	One 3 prism with bi-directional rotation, Speed adjustable
Focus	CMY sysem, Built-in Macro
CMY	Motorized linear focus
Animation Wheel	Bi-directional rotation, Speed adjustable
Frost	1 Frost filter

### ROTATING GOBO



### Animation Wheel



### COLORS



### SPECIFICATIONS



### ILLUMINANCE DIAGRAM

