

TORNADO

Tornado 300 Beam
PHAF1961SCT

Tornado 300 Beam is an ultra-compact IP beam moving head, which deliver unbelievable strong and powerful output, provide a solid fat, sharp and clean at 2°. It has a super-fast and precise X/Y movement, fast gobo-color effect and clean projection, plus the dual-prism overlay effect. It is an idea product for outdoor performance and landscape lighting. LED waterproof moving head beam lights has a broad market in live performances, cultural tourism markets, theme parks and other places. In response to market demand, 200W LED waterproof beam light was made depending on the AF1951SCT.



TECHNICAL DATA

Light source	LED 200W
Angle	2°
Max. Power	320W
Display	On Board Control, Custom Mode, 0-25Hz Strobe
Pan/Tilt rotation	540°/270°(8-16bit)
Special	Pan/Tilt movement blackout, User-selectable pan/tilt ranges, gravitation sensor for auto screen positioning
Con Personality	BASIC/13CHS、STANDARD/18CHS、Extend/19CHS
Rotating Gobo	8 Gobos+ White, Gobo-flow effect, Gobo shake, Bi-directional rotation
Color	One color wheel (9dichroic-filters+white, Rainbow-flow effect)
Prism	One piece of 1pcs 8+16 facet prism with bi-directional rotation, Speed adjustable, One piece of linear prism with bi-directional rotation, Speed adjustable. Two prisms can be superimposed and rotated
Animation Wheel	Bi-directional rotation, Speed adjustable
Focus	Motorized linear focus

ROTATION GOBO



ANIMATION WHEEL



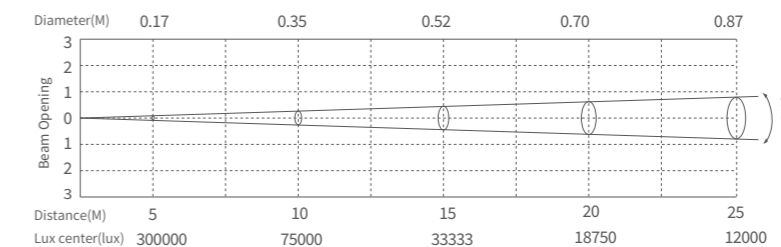
COLOR



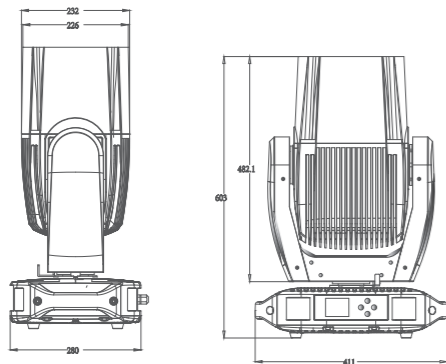
SPECIFICATIONS



ILLUMINANCE AT DISTANCE



ILLUMINANCE DIAGRAM



ACCESSORIES

Wireless receiver Kit
(2440010465)