

TORNADO

Tornado Super Beam
AF1966SCT

Tornado super beam is a 260W laser light source waterproof beam moving head light. 230mm super large light-emitting lens, 1° extremely narrow beam angle, close to parallel beam, beam diameter is only 0.87 meters at a distance of 50 meters, and the illuminance is about 83500lux. The beam is stronger and sharp edges, and the beam formed by high-efficiency optics is like a bright beam. It is suitable for urban landscape, cultural tourism lighting, concerts, theme parks and other places.



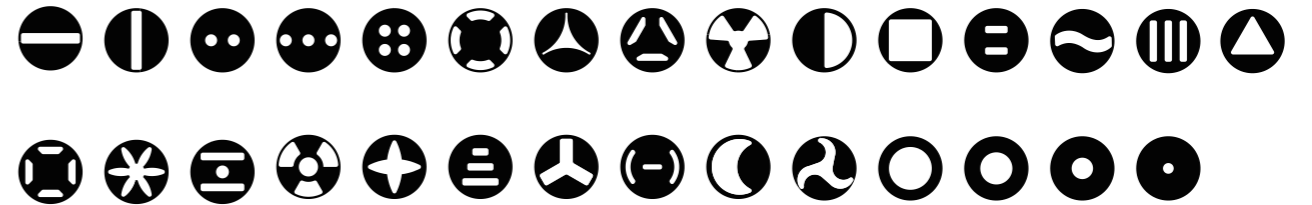
TECHNICAL DATA

Light source	260W Laser light source
Angle	1°
Max. Power	380W
Function	On Board Control, Custom Mode, 0-25Hz Strobe
Pan/Tilt rotation	540°/270°(8-16bit)
Con Personality	STANDARD/BASIC/EXTEND
CTO	3000K-8000K motorized CTO
Color	19 color+white, rainbow-flow effect
Gobos	Static gobo wheel (29 gobos+white)
Prism	One 8+24 prism, one 5 F prism, bidirectional rotating, speed can be adjusted
Focus	Motorized linear focus

COLOR



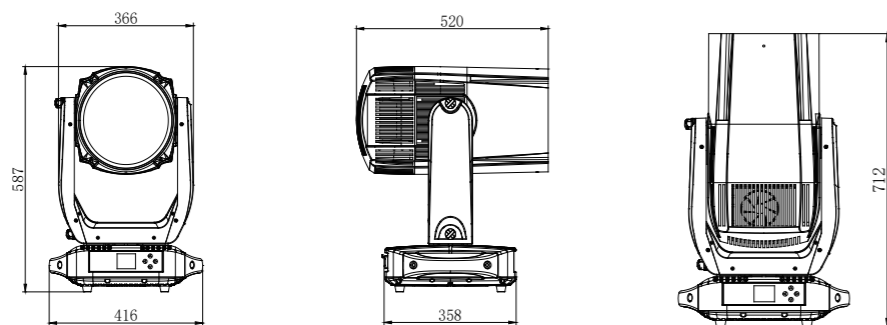
STATIC GOBOS



SPECIFICATIONS



ILLUMINANCE DIAGRAM



ILLUMINANCE AT DISTANCE

